



## 32028 X

- Popular item  
- SKF Explorer

### Tapered roller bearings, single row

#### Bearing data

[Tolerances,](#)

Normal and CL7C, CLN, Normal and CL, deviating width

#### Bearing interfaces

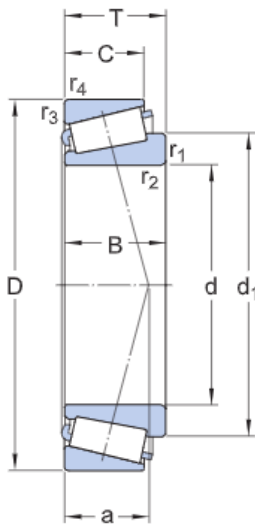
[Seat tolerances for standard conditions,](#)

[Tolerances and resultant fit](#)

## Technical specification

Dimension series

4DC

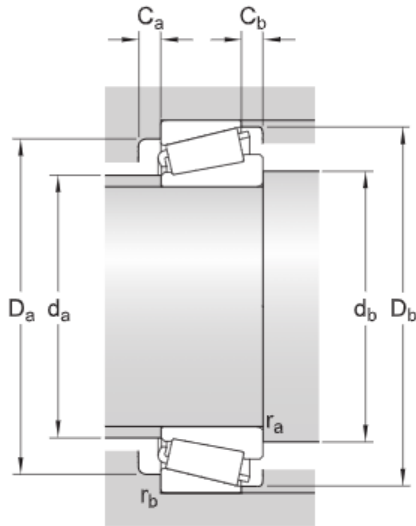


### DIMENSIONS

d	140 mm	Bore diameter
D	210 mm	Outside diameter
T	45 mm	Total bearing width
d1	≈175.12 mm	Inner ring shoulder diameter
B	45 mm	Width inner ring
C	34 mm	Width outer ring
r1,2	min.2.5 mm	Corner radius inner ring
r3,4	min.2 mm	Corner radius outer ring
a	45.505 mm	Distance pressure point

### ABUTMENT DIMENSIONS

da	max.153 mm	Abutment diameter shaft
	min.153.5	Abutment



$d_b$	mm	diameter shaft
$D_a$	min.187 mm	Abutment diameter housing
$D_a$	max.199 mm	Abutment diameter housing
$D_b$	min.202 mm	Abutment diameter housing
$C_a$	min.8 mm	Abutment housing - axial space at the large side face/ both sides of the outer ring
$C_b$	min.11 mm	Abutment housing - axial space at the small side face/ both sides of the outer ring
$r_a$	max.2.5 mm	Fillet radius
$r_b$	max.2 mm	Fillet radius

CALCULATION DATA

Basic dynamic load rating	C	404 kN
Basic static load rating	$C_0$	585 kN
Fatigue load limit	$P_u$	58.5 kN
Reference speed		2 400 r/min
Limiting speed		2 800 r/min
Calculation factor	e	0.46
Calculation factor	Y	1.3
Calculation factor	$Y_0$	0.7

MASS

Mass bearing	5.26 kg
--------------	---------